

It is possible to connect directly to an input point of branch type from in the box (board) as an exclusive useable type for diverge by the electricity side.
Our line up are 80A to 400A for each spec.

- Merit** · Acquired SCCR (※)
 · The structure is compact type
 · Establish the safety by finger protect cover

※SCCR (Short Circuit Current Ratings)

Regarding export to USA, we need to clarify of SCCR value for an industrial control board by NEC2005, No.409.
In the way of an SCCR Indication should be indicate for minimum rating current to SCCR in control board.
Component part are useable only UL certification product.

SCCR acquired product

Branch Type Terminal Blocks

- OTP-80
- OTP-1000
- OTP-2000
- OTP-6000N
- OTP-7000
- OTP-8000
- OTP-9000

Relay Type

- OK-020
- OK-060
- OK-0100
- OK-250
- OK-300S
- OK-600S
- OTB-240S-□P-FB

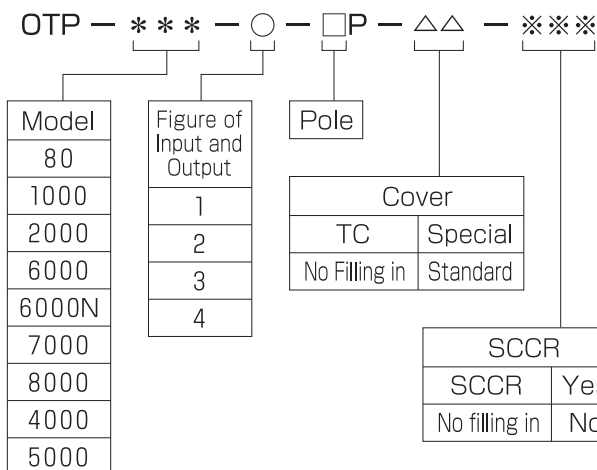
Through Type

- OTB-358N
- OTB-388

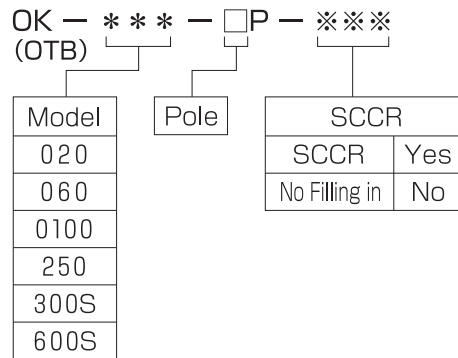
Combination of SCCR acquired product & breaker are published in
The combination table of SCCR aquired and breaker.

(Attention) Marked SCCR for SCCR acquired product. If no mark of SCCR, it is normal terminal blocks.

Power Terminal Block Model Display



Relay and Through Type Terminal Block Model Display



- OTB - 240N - □P - FB - ※※※
- OTB - 358N - □P - ※※※
- OTB - 388 - □P - ※※※