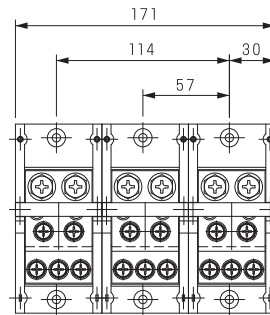
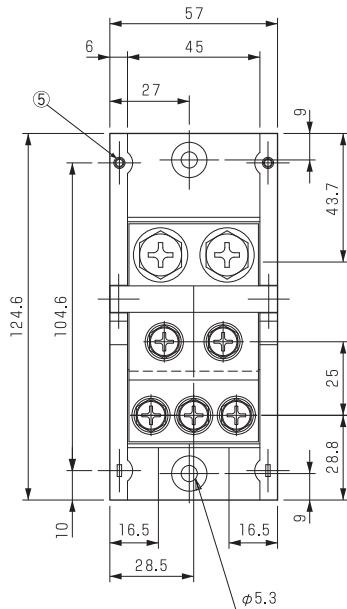


OTP-9000 Series SCCR 65kA



All-in-one design (Image)

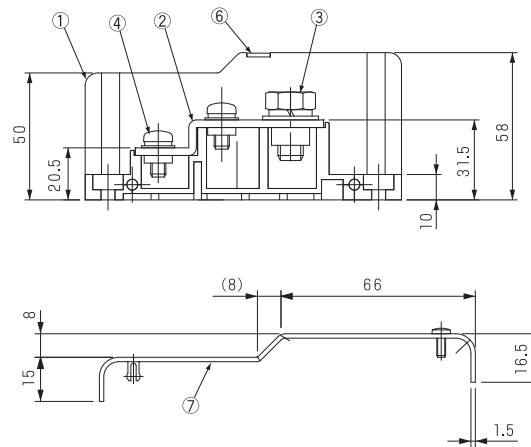
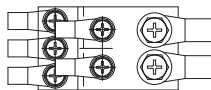


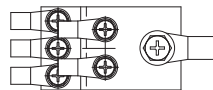
Figure of input and output

OTP-9000



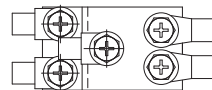
Output M6×5 (Total 250A) Input M8×2 (Total 250A)

OTP-9000-M10



Output M6×5 (Total 250A) Input M10 (Total 250A)

OTP-9000-1 (UL is off the subject)



Output M8×3 (Total 250A) Input M8×2 (Total 250A)

Specifications (It is producible from 1 pole to 6 poles)

Electrical Rating	600V, 250A
Insulation Resistance	DC500V, 1000MΩ
Withstanding Voltage	AC2500V
Storage Temperature Rating	-40°C~+90°C
Usage Temperature Rating	-40°C~+90°C

Composition

No.	Part Name	Materials	Flame Class	Treatment	Remarks
①	Base	PBT	94V-0		Black
②	Terminal	Copper		Ni	
③	Bolt	Steel		Cr ³⁺ Zn	
④	Screw or Bolt	Steel		Cr ³⁺ Zn	
⑤	Insert Metal Fitting	Brass		Ni	
⑥	Marking Strip	PA 66	94V-0		Gray
⑦	Cover	Polycarbonate			Transparency