

# OTP-80 Series

UL US SCCR 65kA

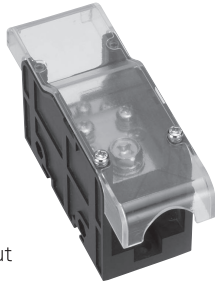
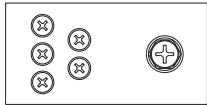


Figure of input and output

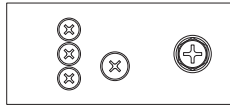
※Acceptable for 35mm DIN-rail

## OTP-80



Output M4×5 (Total 80A) Input M6 (80A)

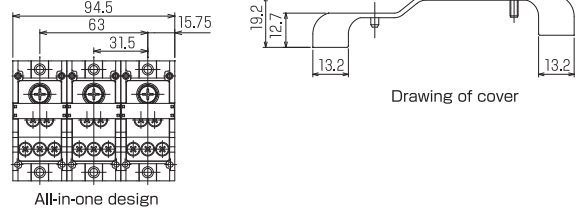
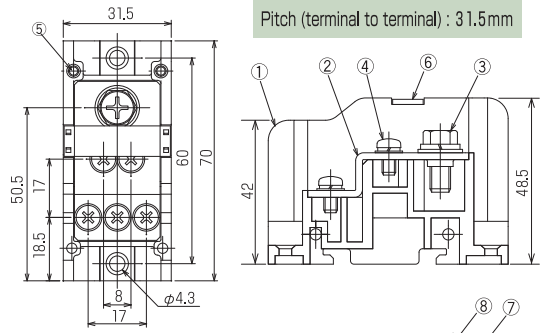
## OTP-80-1



Output M4×3, M5 (Total 80A) Input M6 (80A)

Specifications (It is producible from 1 pole to 8 poles)

Electrical Rating	600V, 80A
Insulation Resistance	DC500V, 1000MΩ
Withstanding Voltage	AC2500V
Storage Temperature Rating	-40°C~+90°C
Usage Temperature Rating	-40°C~+90°C



All-in-one design

### Composition

No.	Part Name	Materials	Flame Class	Treatment	Remarks
①	Base	PBT	94V-0		
②	Terminal	Brass		Ni	
③	Bolt	Steel		Cr <sup>3+</sup> Zn	
④	Screw	Steel		Ni	
⑤	Insert Metal Fitting	Brass		Ni	
⑥	Marking Strip	PA 66	94V-0		
⑦	Cover	Polycarbonate			
⑧	Attachment Screws for Cover	Steel		Ni	

# OTP-80N Series

UL US

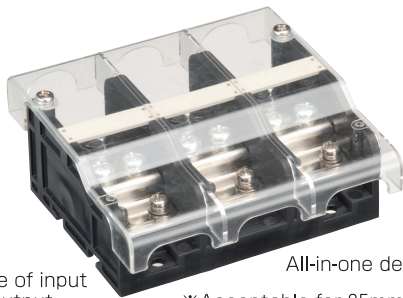
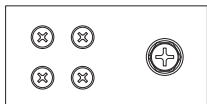


Figure of input and output

All-in-one design

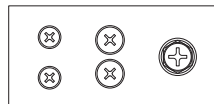
※Acceptable for 35mm DIN-rail

## OTP-80N



Output M4×4 (Total 80A) Input M6 (80A)

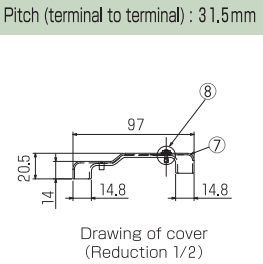
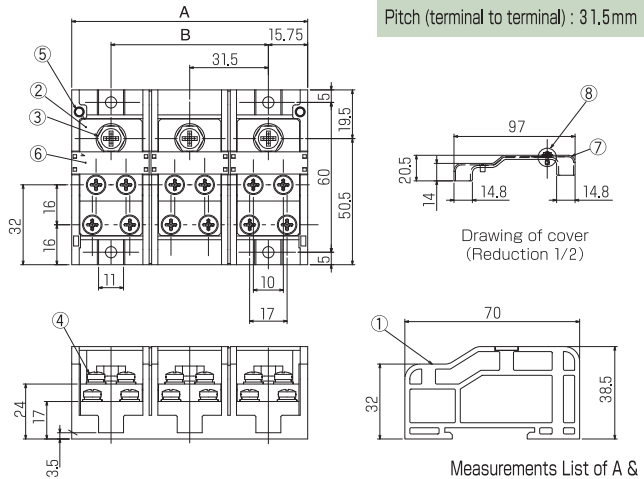
## OTP-80N-1



Output M4×2, M5×2 (Total 80A) Input M6 (80A)

Specifications

Electrical Rating	600V, 80A
Insulation Resistance	DC500V, 1000MΩ
Withstanding Voltage	AC2500V
Storage Temperature Rating	-40°C~+90°C
Usage Temperature Rating	-40°C~+90°C



Measurements List of A & B (P : Number of terminals)

P	1	2	3	4
A	31.5	63	94.5	126
B	-	31.5	63	94.5

### Composition

No.	Part Name	Materials	Flame Class	Treatment	Remarks
①	Base	PBT	94V-0		Black
②	Terminal	Brass		Ni	
③	Bolt M6×14L	Steel		Cr <sup>3+</sup> Zn	SW-PW
④	Screw M4×8L	Steel		Ni	SW-PW
⑤	Insert Metal Fitting	Brass		Ni	
⑥	Marking Strip	PA 66	94V-0		Gray
⑦	Cover	Polycarbonate	94V-0		Transparency
⑧	Attachment Screws for Cover M3×8L	Steel		Ni	