

OTP-7000 Series

c  **SCCR 50kA**

Acceptable for DIN-rail

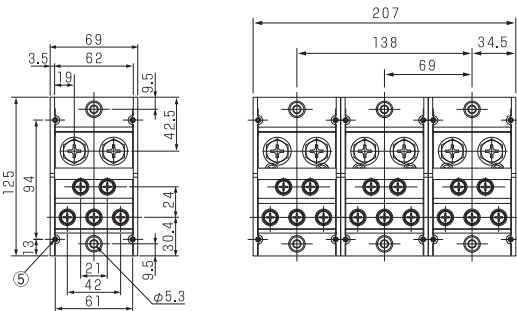
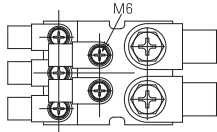


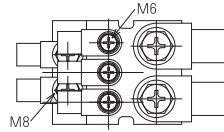
Figure of input and output

OTP-7000



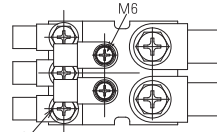
Output M6×5 Input M10×2
(Total 400A) (Total 400A)

OTP-7000-1



Output M8×2, Input M10×2
M6×3 (Total 400A)

OTP-7000-2 (UL is off the subject)



Output M8×3, Input M10×2
M6×2 (Total 400A)

OTP-8000 Series

c  **SCCR 65kA**

Acceptable for DIN-rail

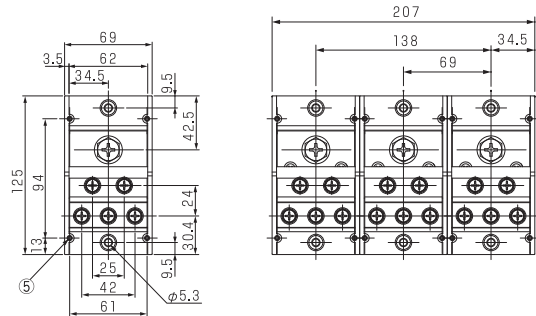
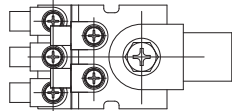


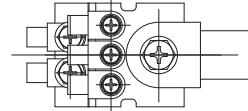
Figure of input and output

OTP-8000



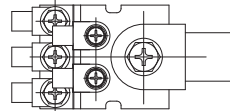
Output M6×5 Input M12
(Total 400A) (Total 400A)

OTP-8000-1



Output M8×2, Input M12
M6×3 (Total 400A)

OTP-8000-2 (UL is off the subject)



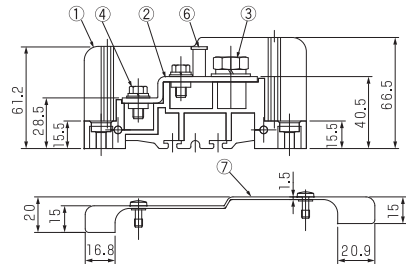
Output M8×3, Input M12
M6×2 (Total 400A)

Specifications (It is producible from 1 pole to 6 poles)

Electrical Rating	600V, 400A
Insulation Resistance	DC500V, 1000MΩ
Withstanding Voltage	AC2500V
Storage Temperature Rating	-40℃~+90℃
Usage Temperature Rating	-40℃~+90℃

Composition

No.	Part Name	Materials	Flame Class	Treatment	Remarks
①	Base	PBT	94V-0		Black
②	Terminal	Copper		Ni	
③	Bolt	Steel		Cr ³⁺ Zn	
④	Bolt	Steel		Cr ³⁺ Zn	
⑤	Insert Metal Fitting	Brass		Ni	
⑥	Marking Strip	PA 66	94V-0		
⑦	Cover	Polycarbonate			Transparency



All-in-one design (Image)