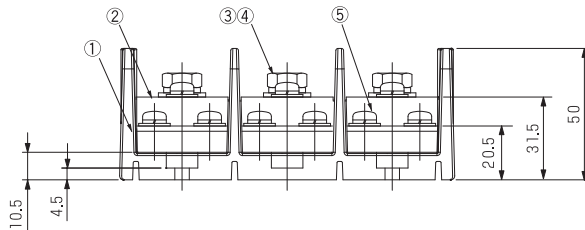
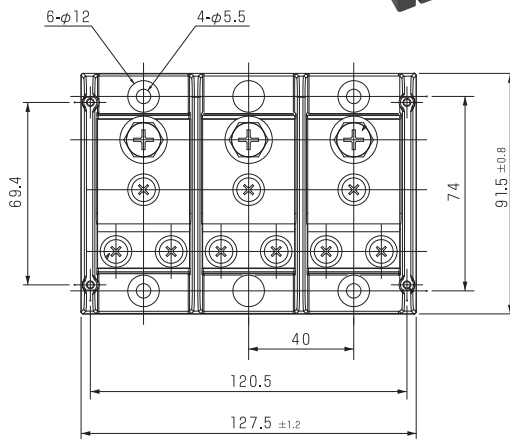


OTP-1000 Series

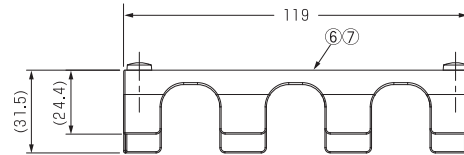
SCCR 65kA

1 ~ 4 pole



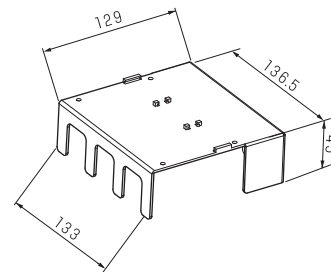
The cover can be selected.

(Standard)



(Finger Protecting Type)

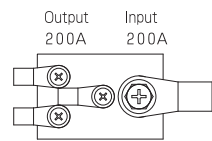
(TC Cover) ※Optional



(Finger Protecting Type)

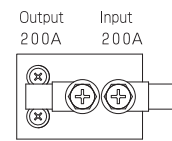
Figure of input and output

OTP-1000



Output M5×3 Input M8
(Total 200A) (200A)

OTP-1000-2



Output M5×2,M8 Input M8
(Total 200A) (200A)

Specifications

Electrical Rating	600V, 200A
Insulation Resistance	DC500V, 1000MΩ
Withstanding Voltage	AC2500V
Storage Temperature Rating	-40°C~+90°C
Usage Temperature Rating	-40°C~+90°C

Composition

No.	Part Name	Materials	Flame Class	Treatment	Remarks
①	Base	PBT	94V-0		Black
②	Terminal	Brass		Ni	
③	Bolt	Steel		Cr ³⁺ Zn	
④	Nut	Steel		Cr ³⁺ Zn	
⑤	Screw	Steel		Cr ³⁺ Zn	
⑥	Marking Strip	PA 66	94V-0		Gray
⑦	Cover	Polycarbonate			Transparency

Measurements List of A, B & C (P : Number of terminals)

P	1	2	3	4
A	47.5	87.5	127.5	167.5
B	-	40	80	120
C	51.5	91.5	131.5	171.5