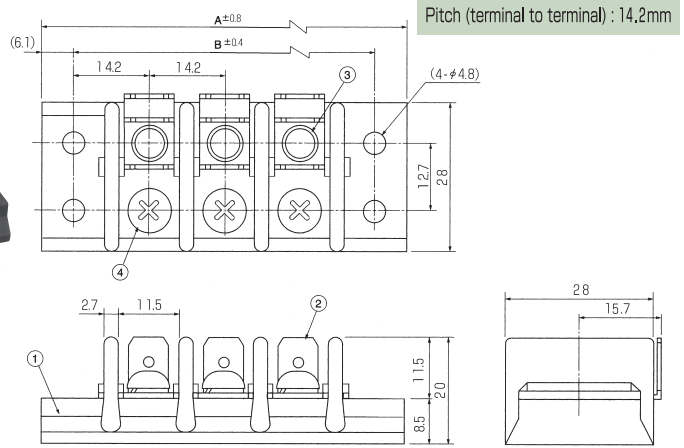
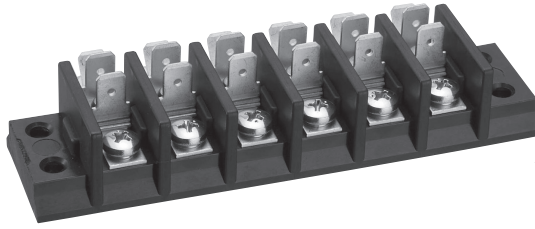


OFDJ-05N

Lot: 10pcs. over



Specifications

Electrical Rating	300V, 30A
Insulation Resistance	DC500V, 1000MΩ
Withstanding Voltage	AC2500V
Storage Temperature Rating	-40°C~+90°C
Usage Temperature Rating	-40°C~+90°C

Composition

No.	Part Name	Materials	Flame Class	Treatment	Remarks
①	Base	PBT	94V-0		Black
②	Tab250	Brass		Sn	A · E
③	Hollow Rivet	Aluminum			
④	Screw (M4×7L)	Brass		Ni	B Series
⑤	Terminal	Brass		Ni	

Measurements List of A & B (P : Number of terminals)

P	1	2	3	4	5	6	7	8	9	10	11	12	13	14
A		54.8	69.0	83.2	97.4	111.6	125.8	140.0	154.2	168.4				
B		42.6	56.8	71.0	85.2	99.4	113.6	127.8	142.0	156.2				



Please adjust externals size to less than 8.5mm when you use Ring-mold.