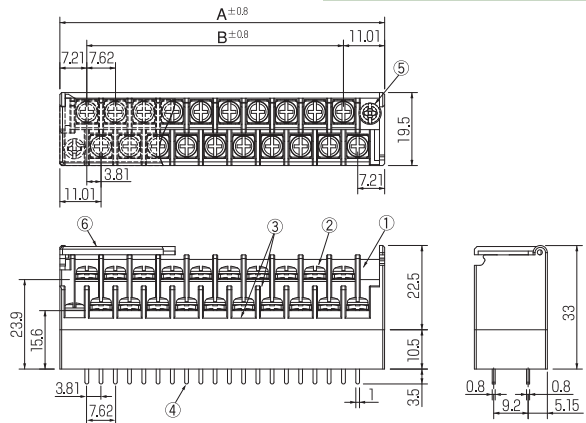
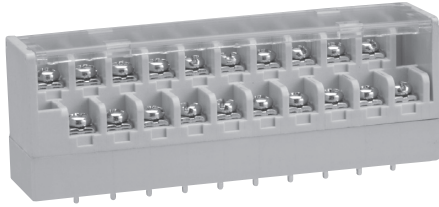


# OCN-661N

Pitch (terminal to terminal) : 7.62mm



## Specifications

Electrical Rating	300V, 10A
Insulation Resistance	DC500V, 1000MΩ
Withstanding Voltage	AC1500V
Cable Range	AWG22~14
Usage Temperature Rating	-40°C~+90°C

## Composition

No.	Part Name	Materials	UL Rating	Treatment	Remarks
①	Base	PBT	94V-0		Black
②	Screw	Steel		Ni	
③	Contact	Phosphor Bronze		Ni and Parcel gilding	
④	Terminal	Phosphor Bronze		Ni and Parcel gilding	
⑤	Attachment Screw	Steel			
⑥	Cover	Polycarbonate	94V-0		

## Measurements List of A & B (P : Number of terminals) ○=Standard

P	10	⑫	14	16	18	⑳	㉒	㉔	26	28	⑳	32	34	⑳	38	④
A	48.70	56.32	63.94	71.56	79.18	86.80	94.42	102.04	109.66	117.28	124.90	132.52	140.14	147.76	155.38	163.00
B	30.48	38.10	45.72	53.34	60.96	68.58	76.20	83.82	91.44	99.06	106.68	114.30	121.92	129.54	137.16	144.78

