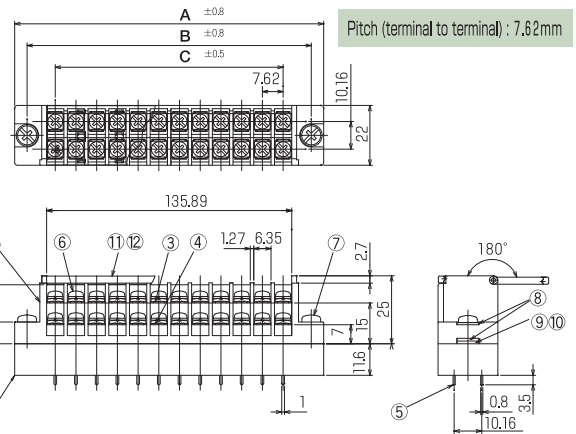
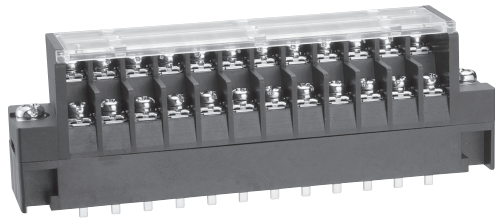


OCN-2277B-24P/36P



Specifications

Electrical Rating	250V, 10A
Insulation Resistance	DC500V, 1000MΩ
Contact Resistance	10mΩ
Withstanding Voltage	AC1500V
Storage Temperature Rating	-40°C~+90°C
Usage Temperature Rating	-40°C~+90°C

Measurements List of A, B & C (P : Number of terminals)

P	24P	36P
A	113.68	159.40
B	104.54	150.26
C	83.82	129.54

Composition

No.	Part Name	Materials	Flame Class	Treatment	Remarks
①	Base (A)	PBT	94V-0		Black
②	Base (B)	PBT	94V-0		Black
③	Contact (A)	Phosphor Bronze		Ni and Parcel gilding	
④	Contact (B)	Phosphor Bronze		Ni and Parcel gilding	
⑤	Contact (C)	Brass		Au	
⑥	Screw (M3 × 7 L)	Steel		Ni	F Series
⑦	Attachment Screws (M4 × 14L)	Steel		Ni	
⑧	Plain Washer	Brass		Ni	
⑨	E-ring	SUS301			
⑩	Insert Metal Fittings	Brass		Ni	
⑪	Cover	Polycarbonate	94V-0		Transparency
⑫	Marking Strip				Optional