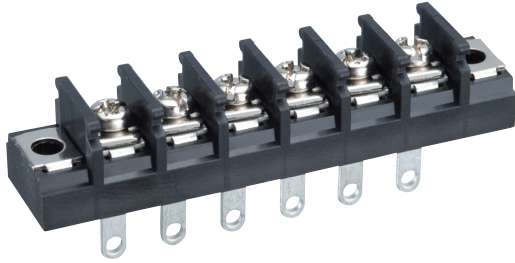


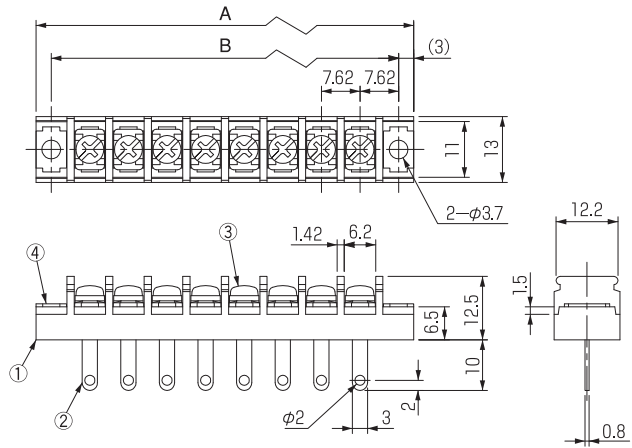
OTB-752NS



Pitch (terminal to terminal) : 7.62mm



※Instantly Detachable Cover (Optional)



Specifications

Electrical Rating	300V, 12A
Insulation Resistance	DC500V, 1000MΩ
Withstanding Voltage	AC2500V
Storage Temperature Rating	-40°C~+90°C
Usage Temperature Rating	-40°C~+90°C

Composition

No.	Part Name	Materials	Flame Class	Treatment	Remarks
①	Base	PBT	94V-0		Black
②	Terminal	Brass		Sn	
③	Screw (M3×6L)	Steel		Ni	F Series
④	Mounting Plate	Brass		Ni	

Measurements List of A & B (P : Number of terminals)

P	1	2	3	4	5	6	7	8	9	10	11	12	13	14	15
A	28.86	36.48	44.10	51.72	59.34	66.96	74.58	82.20	89.82	97.44	105.06	112.68	120.30	127.92	
B	22.86	30.48	38.10	45.72	53.34	60.96	68.58	76.20	83.82	91.44	99.06	106.68	114.30	121.92	