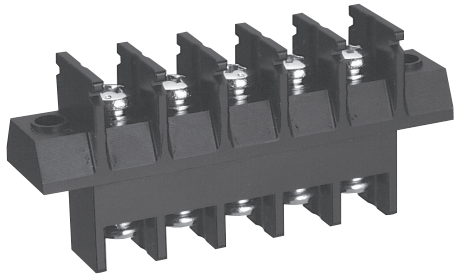


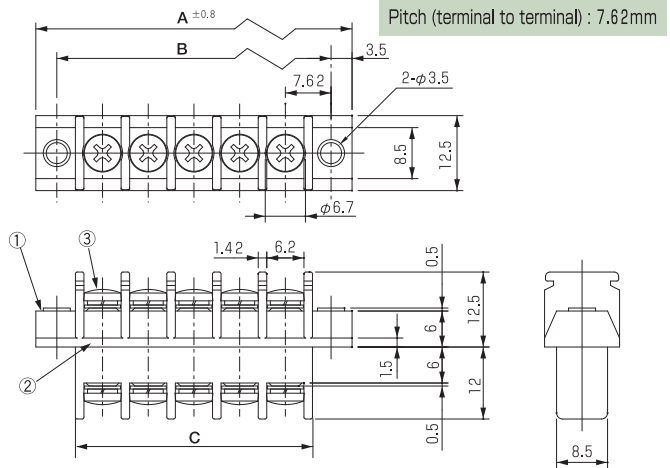
# OTB-60



(Upper and lower sealing up type)



※Instantly Detachable Cover (Optional)



## Specifications

Electrical Rating	300V, 15A
Insulation Resistance	DC500V, 1000MΩ
Withstanding Voltage	AC2500V
Storage Temperature Rating	-40°C~+90°C
Usage Temperature Rating	-40°C~+90°C

## Composition

No.	Part Name	Materials	Flame Class	Treatment	Remarks
①	Base	PBT	94V-0		Black
②	Terminal	Brass		Sn	
③	Screw (M3×6L)	Steel		Cr <sup>3+</sup> Zn	

## Measurements List of A, B & C (P : Number of terminals)

P	1	2	3	4	5	6	7	8	9	10	11	12
A	29.86	37.48	45.10	52.72	60.34	67.96	75.58	83.20	90.82	98.44	106.06	113.68
B	22.86	30.48	38.10	45.72	53.34	60.96	68.58	76.20	83.82	91.44	99.06	106.68
C	16.66	24.28	31.90	39.52	47.14	54.76	62.38	70.00	77.62	85.24	92.86	100.48

