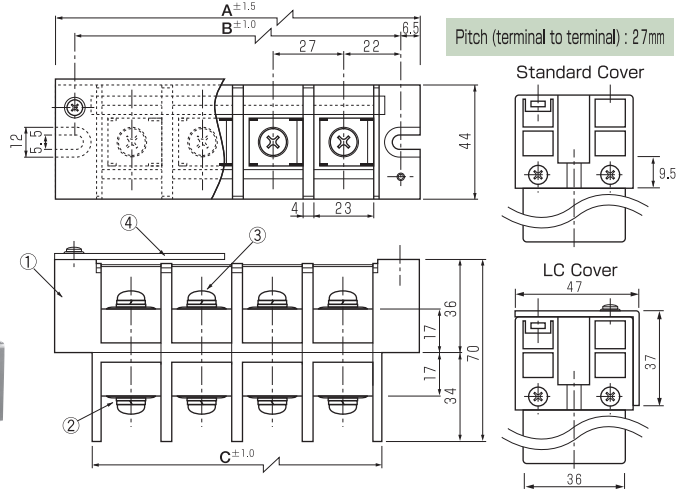
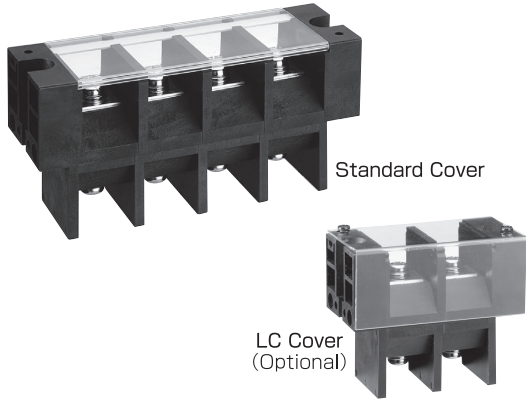


# OTB-488S (FW2)



## Specifications

Electrical Rating	600V, 150A
Insulation Resistance	DC500V, 1000MΩ
Withstanding Voltage	AC2500V
Storage Temperature Rating	-40°C~+90°C
Usage Temperature Rating	-40°C~+90°C

## Composition

No.	Part Name	Materials	Flame Class	Treatment	Remarks
①	Base	PBT	94V-0		Black
②	Terminal	Brass		Ni	
③	Screw (M6×12L)	Steel		Cr <sup>3+</sup> Zn	*
④	Cover	C	Polycarbonate	94V-0	
		LC	Polycarbonate	94V-0	

\*Pan head screw (standard) or Upset head bolt

## Measurements List of A, B & C (P : Number of terminals) Special Order 13P~15P

P	1	2	3	4	5	6	7	8	9	10	11	12	13	14	15
A	57	84	111	138	165	192	219	246	273	300	327	354	381	408	435
B	44	71	98	125	152	179	206	233	260	287	314	341	368	395	422
C	31	58	85	112	139	166	193	220	247	274	301	328	355	382	409

