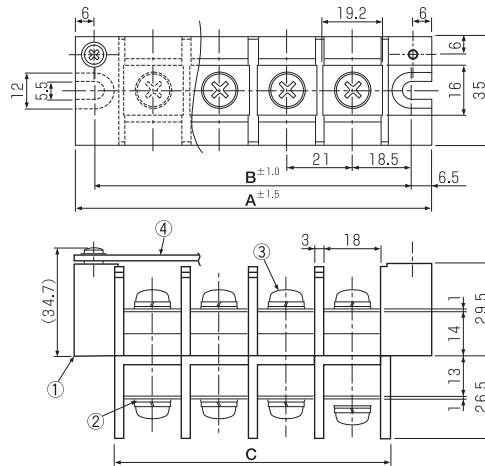
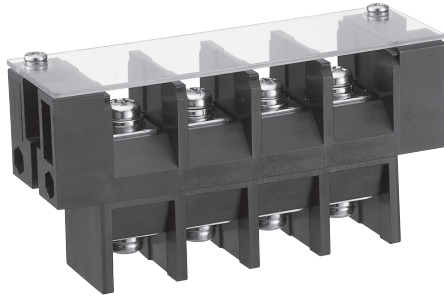
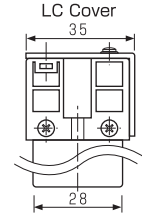
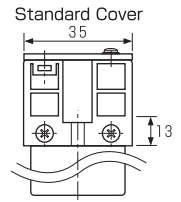


# OTB-390

UL US (FW2)



Pitch (terminal to terminal) : 21mm



## Specifications

Electrical Rating	600V, 130A
Insulation Resistance	DC500V, 1000MΩ
Withstanding Voltage	AC2500V
Storage Temperature Rating	-40°C~+90°C
Usage Temperature Rating	-40°C~+90°C

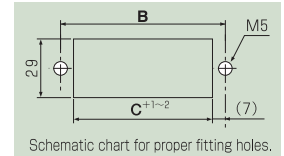
## Composition

No.	Part Name	Materials	Flame Class	Treatment	Remarks
①	Base	PBT	94V-0		Black
②	Terminal	Brass		Ni	
③	Screw (M6×14L)	Steel		Cr <sup>3+</sup> /Zn / Ni	
④	Cover	Polycarbonate	94V-0		Transparency

Measurements List of A, B & C ( P : Number of terminals ) Special Order 13P~15P

P	1	2	3	4	5	6	7	8	9	10	11	12	13	14	15
A	50	71	92	113	134	155	176	197	218	239	260	281	302	323	344
B	37	58	79	100	121	142	163	184	205	226	247	268	289	310	331
C	24	45	66	87	108	129	150	171	192	213	234	255	276	297	318

※6P~15P pole of dimensional tolerance (A, B and C) +1.0~3.0.



Schematic chart for proper fitting holes.