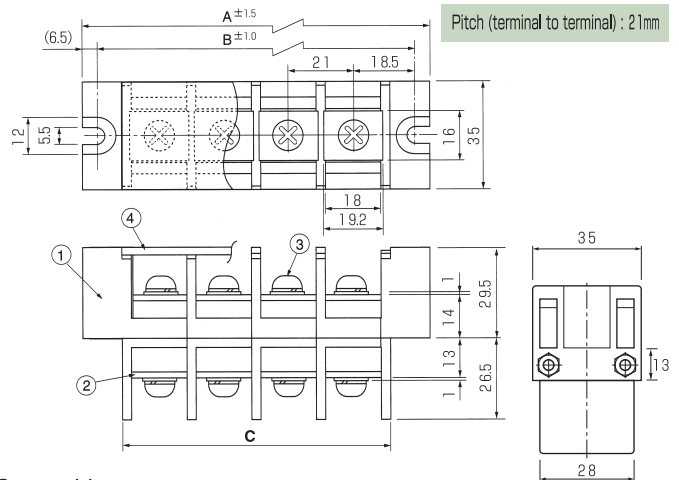
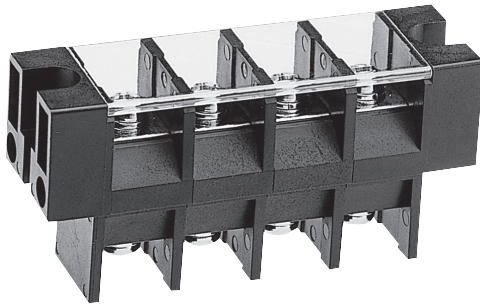


OTB-388

us (FW2) TUV



Specifications

Electrical Rating	600V, 100A
Insulation Resistance	DC500V, 1000MΩ
Withstanding Voltage	AC2500V
Storage Temperature Rating	-40°C~+90°C
Usage Temperature Rating	-40°C~+90°C

Composition

No.	Part Name	Materials	Flame Class	Treatment	Remarks
①	Base	PBT	94V-0		Black
②	Terminal	Brass		Ni	
③	Screw (M6×14L)	Steel		Cr ³⁺ Zn / Ni	
④	Cover	Polycarbonate	94V-0		Transparency

Measurements List of A, B & C (P : Number of terminals)

P	1	2	3	4	5	6	7	8	9	10	11	12	13	14	15
A	50	71	92	113	134	155	176	197	218	239	260	281	302	323	344
B	37	58	79	100	121	142	163	184	205	226	247	268	289	310	331
C	24	45	66	87	108	129	150	171	192	213	234	255	276	297	318

Special Order 13P~15P
 ※6P~15P pole of dimensional tolerance (A,B and C) +1.0-3.0.

