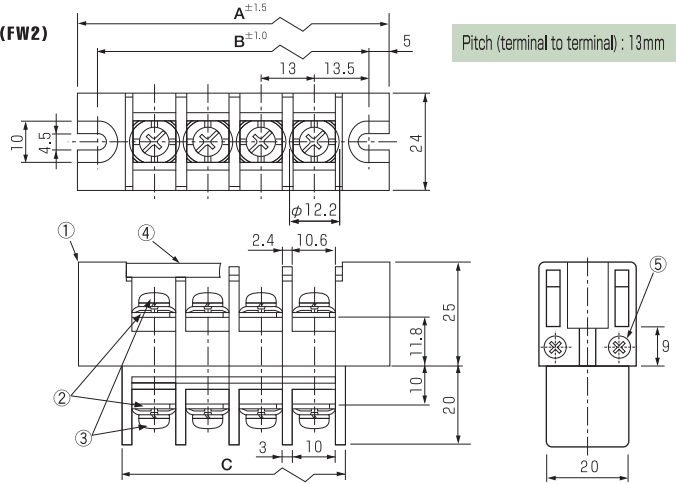
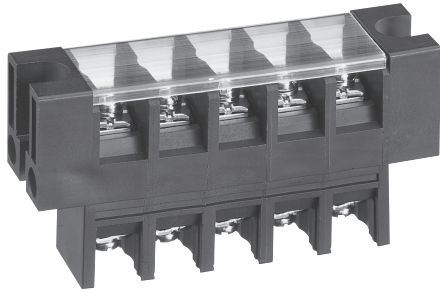


OTB-330N-□P-FB



Specifications

Electrical Rating	600V, 50A
Insulation Resistance	DC500V, 1000MΩ
Withstanding Voltage	AC2500V
Storage Temperature Rating	-40°C~+90°C
Usage Temperature Rating	-40°C~+90°C

Composition

No.	Part Name	Materials	Flame Class	Treatment	Remarks
①	Base	PBT	94V-0		Black
②	Terminal	Brass		Sn	
③	Screw (M4×12L)	Steel		Ni	
④	Cover	Polycarbonate	94V-0		Transparency
⑤	Joint Shaft (M3)	Steel		Ni	

Measurements List of A, B & C (P : Number of terminals) Special Order 13P~15P

P	1	2	3	4	5	6	7	8	9	10	11	12	13	14	15
A		50	63	76	89	102	115	128	141	154	167	180	193	206	219
B		40	53	66	79	92	105	118	131	144	157	170	183	196	209
C		28.6	41.6	54.6	67.6	80.6	93.6	106.6	119.6	132.6	145.6	158.6	171.6	184.6	197.6

