

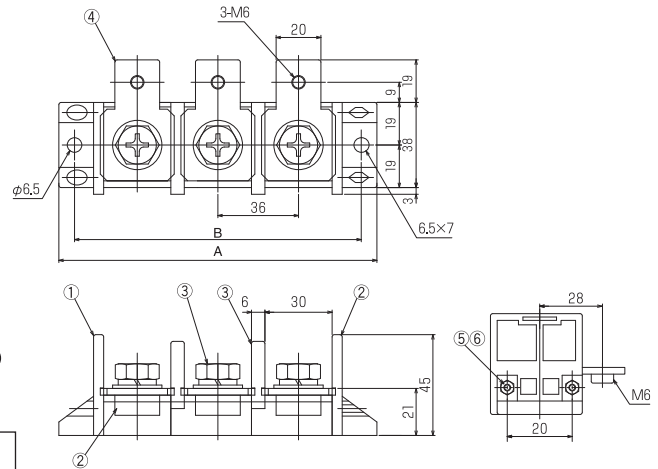
OTF-0633

UL (FW2)

Pitch (terminal to terminal) : 36mm



*Cover attachment available (Optional)



Specifications

Electrical Rating	600V, 320A
Insulation Resistance	DC500V, 1000MΩ
Withstanding Voltage	AC2500V
Storage Temperature Rating	-40°C~+105°C
Usage Temperature Rating	-40°C~+105°C

Measurements List of A, B & C (P : Number of terminals)
Allowance 2~5P ±0.8 6~10P -0.5+1.2

P	1	2	3	4	5	6	7	8	9	10	11	12	13	14
A		106	142	178	214	250	286	322	358	394				
B		92	128	164	200	236	272	308	344	380				
C		75	111	147	183	219	255	291	327	363				

Composition

No.	Part Name	Materials	Flame Class	Treatment	Remarks
①	Base	PBT	94V-0		
②	Nut	Steel		Cr ³⁺ Zn	
③	Bolt M10×20L	Steel		Ni	SW·PW
④	Bus bar	Copper		Sn	
⑤	Joint Shaft M3	Steel		Ni	
⑥	Nut M3	Steel		Ni	