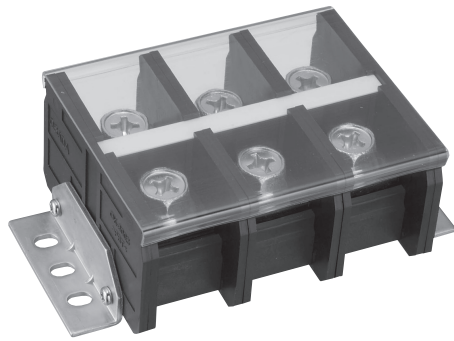
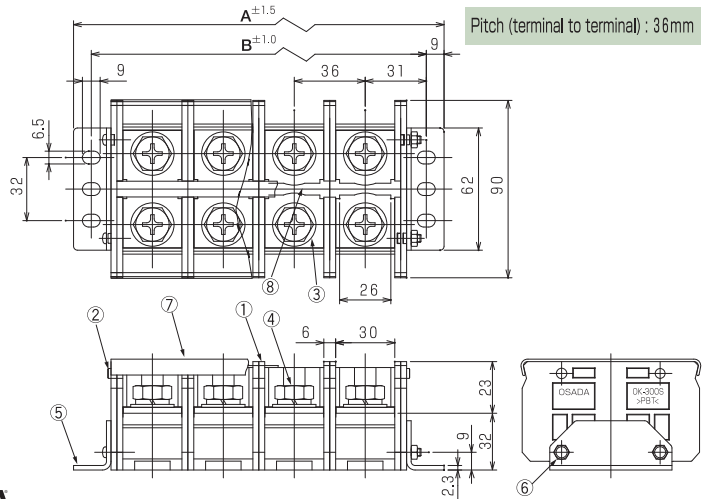


# OK-300S

UL US (FW2)



- ※Acceptable for 35mm DIN-rail.
- ※Acceptable for F Series Screw by UL US.



## Specifications

Electrical Rating	880V, 380A (※1)
Insulation Resistance	DC500V, 1000MΩ
Withstanding Voltage	AC2500V
Storage Temperature Rating	-40°C~+80°C
Usage Temperature Rating	-40°C~+80°C

※1 : Two ring-molding can be used.

Measurements List of A & B (P : Number of terminals ) More than 7P are special order products.

P	1	2	3	4	5	6	7	8	9	10	11	12	13	14
A	80	116	152	188	224	260								
B	62	98	134	170	206	242								

## Composition

No.	Part Name	Materials	Flame Class	Treatment	Remarks
①	Base	PBT	94V-0		Black
②	Side Plate	PBT	94V-0		
③	Terminal	Brass		Cr <sup>3+</sup> Zn	
④	Bolt (M10×20L)	Steel		Cr <sup>3+</sup> Zn	SW · PW
⑤	Setting Metal Board	Steel		Cr <sup>3+</sup> Zn	
⑥	Joint Shaft (M4)	Steel		Ni	
⑦	Cover	Polycarbonate	94V-0		
⑧	Marking Strip				