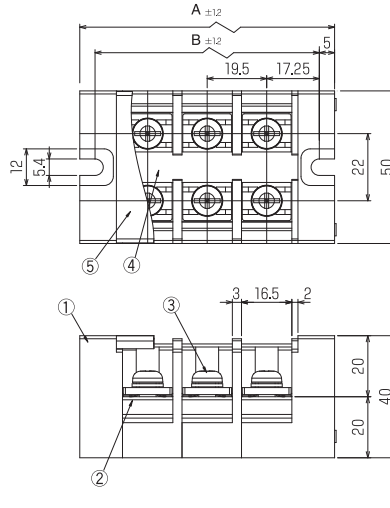
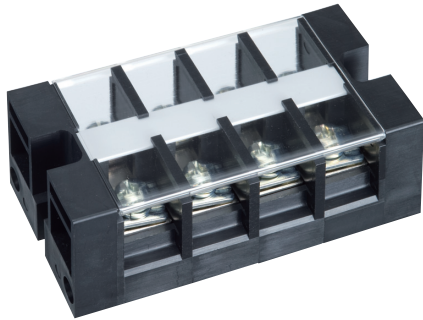


# OK-070

FW2



Pitch (terminal to terminal) : 19.5mm

### Specifications

Electrical Rating	600V, 115A
Insulation Resistance	DC500V, 1000MΩ
Withstanding Voltage	AC2500V
Storage Temperature Rating	-40°C~+90°C
Usage Temperature Rating	-40°C~+90°C

### Composition

No.	Part Name	Materials	Flame Class	Treatment	Remarks
①	Base	PBT			Black
②	Terminal	Brass		Ni	
③	Screw M6×14L	Steel		Cr <sup>3+</sup> Zn	F Series
④	Marking Strip				Optional
⑤	Cover	Polycarbonate			
⑥	Joint Shaft	Steel		Ni	

### Measurements List of A & B ( P : Number of terminals )

P	1	2	3	4	5	6	7	8	9	10	11	12	13	14
A		64	83.5	103	122.5	142	161.5	181	200.5	220	239.5	259		
B		54	73.5	93	112.5	132	151.5	171	190.5	210	229.5	249		

Special Order 11P and 12P