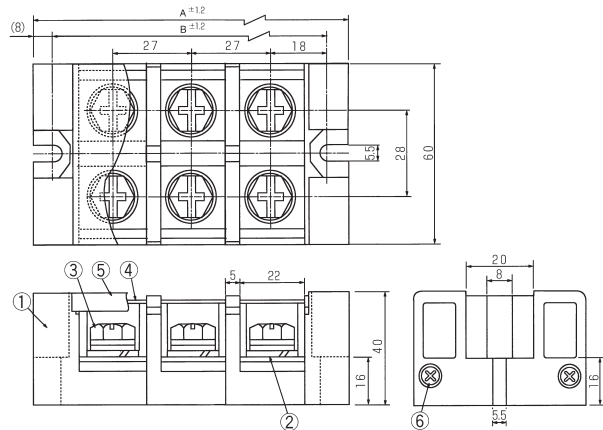
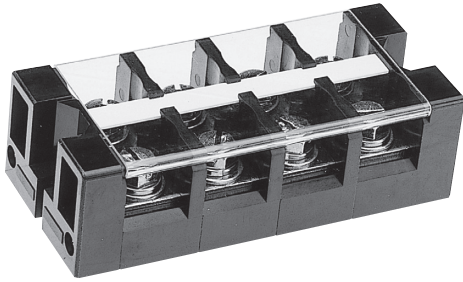


OK-0100

c  us (FW2) TÜV

Pitch (terminal to terminal) : 27mm



Specifications

Electrical Rating	600V, 156A
Insulation Resistance	DC500V, 1000MΩ
Withstanding Voltage	AC2500V
Storage Temperature Rating	-40°C~+90°C
Usage Temperature Rating	-40°C~+90°C

Composition

No.	Part Name	Materials	Flame Class	Treatment	Remarks
①	Base	PBT	94V-0		Black
②	Terminal	Brass		Ni	
③	Bolt (M8×15L)	Steel		Cr ³⁺ Zn	SW, PW ⊕
④	Marking Strip				
⑤	Cover	Polycarbonate	94V-0		Transparency
⑥	Joint Shaft (M4)	Steel		Ni	

Measurements List of A & B (P : Number of terminals)

P	1	2	3	4	5	6	7	8	9	10	11	12
A	52	79	106	133	160	187	214	241	268	295	322	349
B	36	63	90	117	144	171	198	225	252	279	306	333