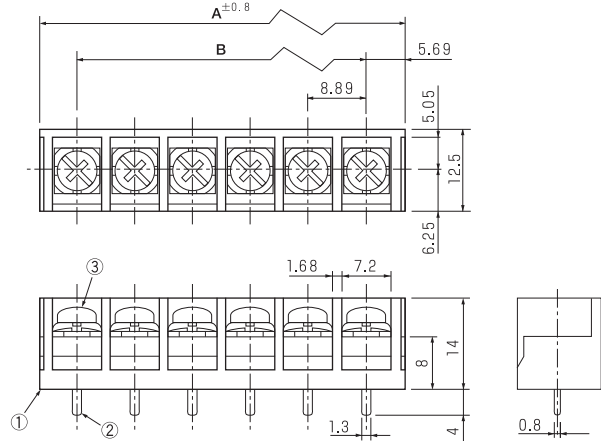
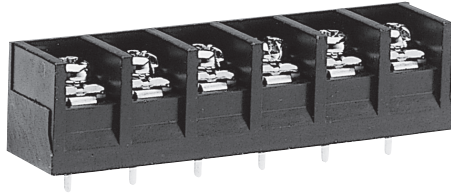


# OULS-2053-B

Pitch (terminal to terminal) : 8.89mm



## Specifications

Electrical Rating	300V, 14A
Insulation Resistance	DC500V, 1000MΩ
Withstanding Voltage	AC2500V
Storage Temperature Rating	-40°C~+90°C
Usage Temperature Rating	-40°C~+90°C

## Composition

No.	Part Name	Materials	Flame Class	Treatment	Remarks
①	Base	PBT	94V-0		Black
②	Terminal	Brass		Sn	
③	Screw (M3.5×7L)	Steel		Ni	F Series

## Measurements List of A & B ( P : Number of terminals ) Special Order 13P~15P

P	1	2	3	4	5	6	7	8	9	10	11	12	13	14	15
A	20.27	29.16	38.05	46.94	55.83	64.72	73.61	82.50	91.39	100.28	109.17	118.06	126.95	135.84	
B	8.89	17.78	26.67	35.56	44.45	53.34	62.23	71.12	80.01	88.90	97.79	106.68	115.57	124.46	