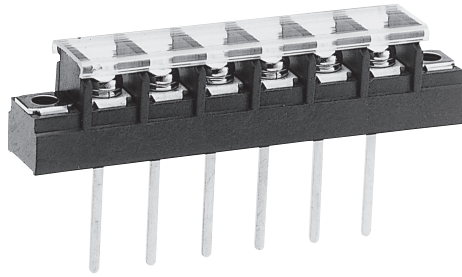
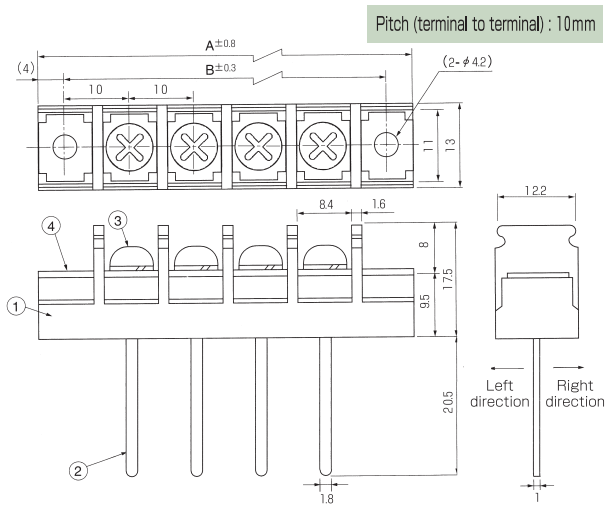


OTB-771N-M

UL US (FW2) TÜV



※ Instantly Detachable Cover (Optional)



Specifications

Electrical Rating	300V, 20A
Insulation Resistance	DC500V, 1000MΩ
Withstanding Voltage	AC2500V
Storage Temperature Rating	-40°C~+90°C
Usage Temperature Rating	-40°C~+90°C

Composition

No.	Part Name	Materials	Flame Class	Treatment	Remarks
①	Base	PBT	94V-0		Black
②	Terminal	Brass		Sn	
③	Screw (M3.5)(M4)	Steel		Cr ³⁺ Zn / Ni	P and F Series
④	Mounting Plate	Brass		Ni	

Measurements List of A & B (P : Number of terminals)

P	1	2	3	4	5	6	7	8	9	10	11	12	13	14	15
A		38	48	58	68	78	88	98	108	118	128	138	148	158	168
B		30	40	50	60	70	80	90	100	110	120	130	140	150	160