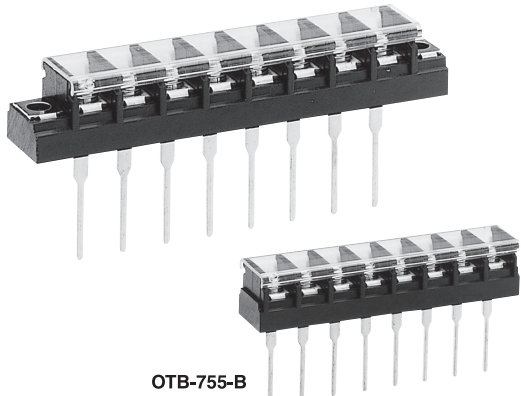
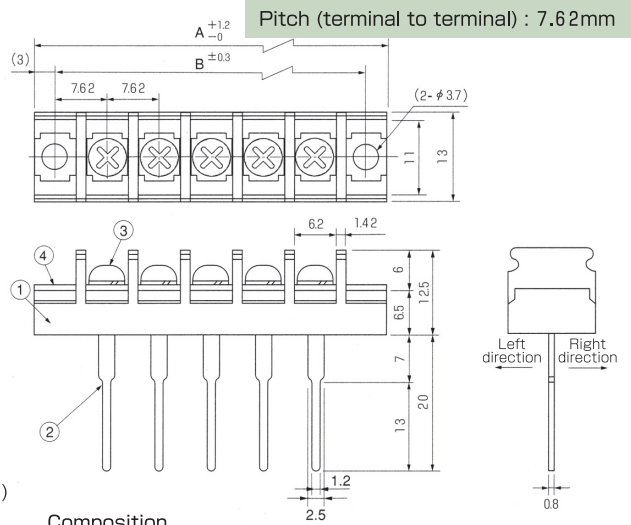


# OTB-755-M TÜV



OTB-755-B

※ Instantly Detachable Cover (Optional)



## Specifications

Electrical Rating	250V, 12A
Insulation Resistance	DC500V, 1000MΩ
Withstanding Voltage	AC2500V
Storage Temperature Rating	-40°C~+90°C
Usage Temperature Rating	-40°C~+90°C

## Composition

No.	Part Name	Materials	Flame Class	Treatment	Remarks
①	Base	PBT	94V-0		Black
②	Terminal	Brass		Sn	
③	Screw(M3x6L)	Brass		Ni	P Series
④	Mounting Plate	Brass		Ni	

## Measurements List of A & B ( P : Number of terminals )

	P	2	3	4	5	6	7	8	9	10	11	12	13	14
M Type	A	28.86	36.48	44.10	51.72	59.34	66.96	74.58	82.20	89.82	97.44	105.06		
	B	22.86	30.48	38.10	45.72	53.34	60.96	68.58	76.20	83.82	91.44	99.06		
B Type	A	17.22	24.84	32.46	40.08	47.70	55.32	62.94	70.56	78.18	85.80			
	B	7.62	15.24	22.86	30.48	38.10	45.72	53.34	60.96	68.58	76.20			