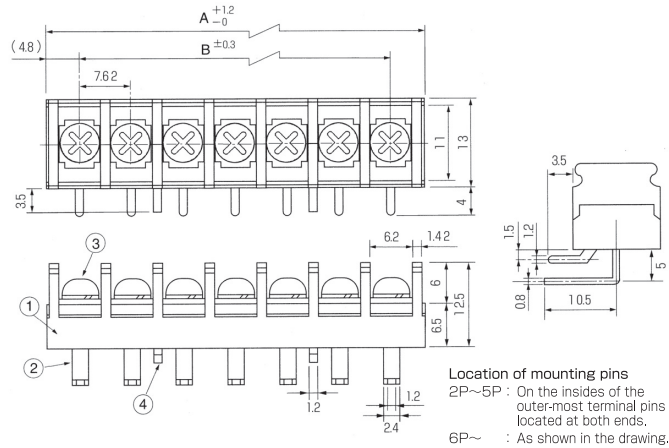
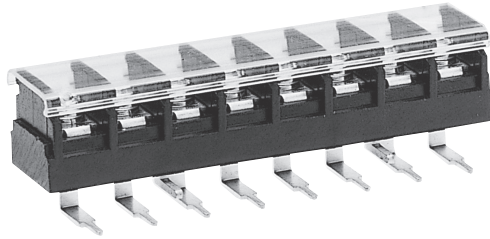


# OTB-751NS-BL

Pitch (terminal to terminal) : 7.62mm



※ Instantly Detachable Cover (Optional)

## Specifications

Electrical Rating	300V, 12A
Insulation Resistance	DC500V, 1000MΩ
Withstanding Voltage	AC2500V
Storage Temperature Rating	-40°C~+90°C
Usage Temperature Rating	-40°C~+90°C

## Composition

Placement of mounting pins and quantity can be adjusted.

No.	Part Name	Materials	Flame Class	Treatment	Remarks
①	Base	PBT	94V-0		Black
②	Terminal	Brass		Sn	
③	Screw (M3×6L)	Steel		Ni	F Series
④	Mounting Pin	Brass		Sn	

## Measurements List of A & B ( P : Number of terminals )

P	1	2	3	4	5	6	7	8	9	10	11	12	13	14	15
A	17.22	24.84	32.46	40.08	47.70	55.32	62.94	70.56	78.18	85.80	93.42	101.04	108.66	116.28	
B	7.62	15.24	22.86	30.48	38.10	45.72	53.34	60.96	68.58	76.20	83.82	91.44	99.06	106.68	