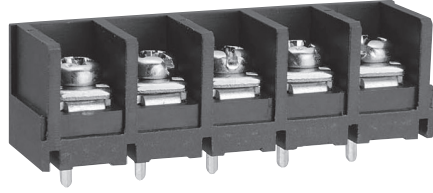
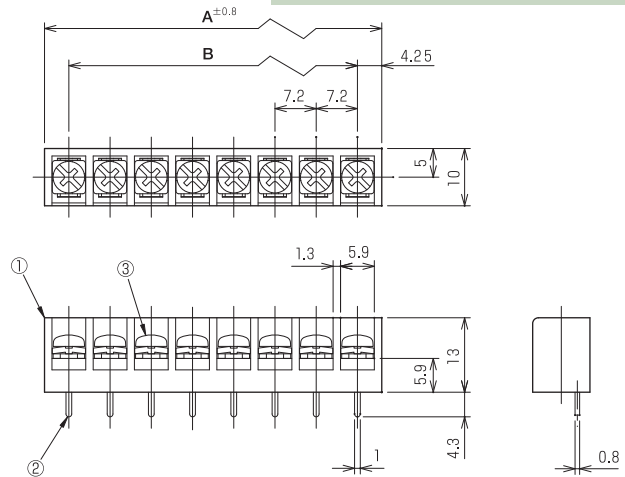


OTB-67



Pitch (terminal to terminal) : 7.2mm



Specifications

Electrical Rating	300V, 15A, 150V, 15A
Insulation Resistance	DC500V, 1000MΩ
Withstanding Voltage	AC2500V
Storage Temperature Rating	-40°C~+90°C
Usage Temperature Rating	-40°C~+90°C

Composition

No.	Part Name	Materials	Flame Class	Treatment	Remarks
①	Base	PBT	94V-0		
②	Terminal	Brass		Sn	
③	Screw (M3x6L)	Steel		Ni	F Series

Measurements List of A & B (P : Number of terminals)

P	1	2	3	4	5	6	7	8	9	10	11	12	13	14
A		15.70	22.90	30.10	37.30	44.50	51.70	58.90	66.10	73.30	80.50	87.70		
B		7.20	14.40	21.60	28.80	36.00	43.20	50.40	57.60	64.80	72.00	79.20		

