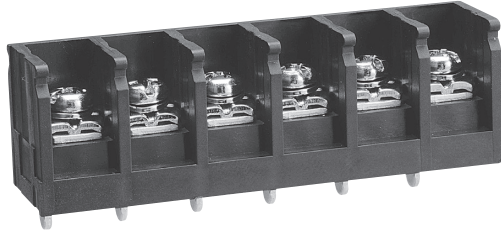
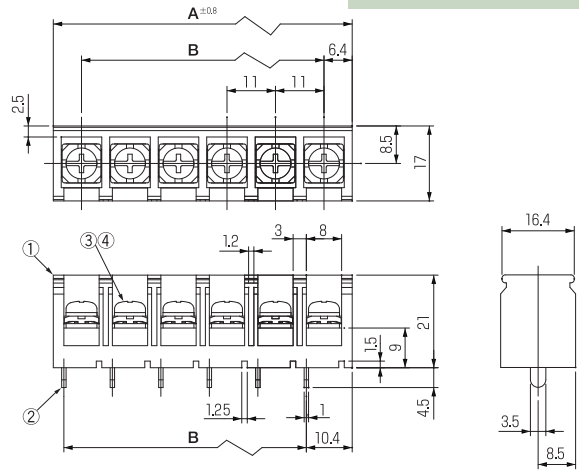


OTB-640NS-B

Pitch (terminal to terminal) : 11 mm



The shape of the actual thing is equal to the drawing.



Specifications

Electrical Rating	600V, 40A
Insulation Resistance	DC500V, 1000MΩ
Withstanding Voltage	AC2500V
Storage Temperature Rating	-40°C~+90°C
Usage Temperature Rating	-40°C~+90°C

Composition

No.	Part Name	Materials	Flame Class	Treatment	Remarks
①	Base	PBT	94V-0		Black
②	Terminal	Copper		Sn	
③	Screw (M4×10L)	Steel		Ni	F Series
④	Hexagon Nut (M4)	Steel		Cr ³⁺ Zn	

Measurements List of A & B (P : Number of terminals) Special Order 13P~15P

P	1	2	3	4	5	6	7	8	9	10	11	12	13	14	15
A		23.8	34.8	45.8	56.8	67.8	78.8	89.8	100.8	111.8	122.8	133.8	144.8	155.8	166.8
B		11	22	33	44	55	66	77	88	99	110	121	132	143	154

