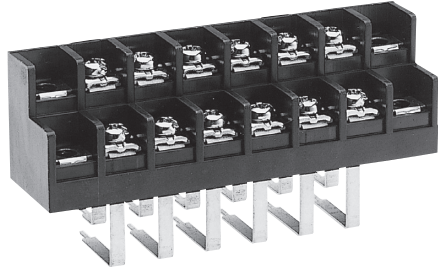
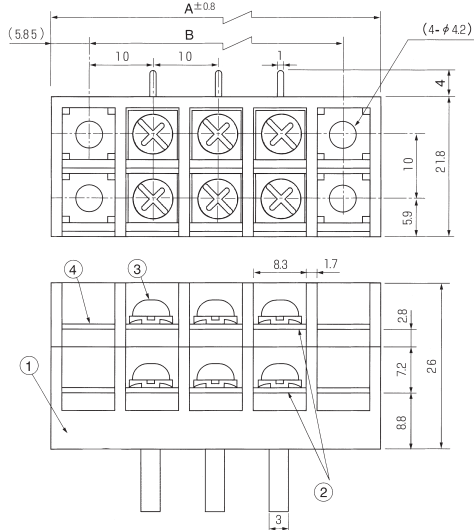


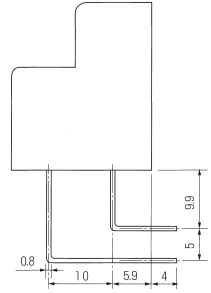
OTB-6220-ML



*Cover attachment available



Pitch (terminal to terminal) : 10mm



Specifications

Electrical Rating	250V, 10A
Insulation Resistance	DC500V, 1000MΩ
Withstanding Voltage	AC2500V
Storage Temperature Rating	-40°C~+90°C
Usage Temperature Rating	-40°C~+90°C

Composition

No.	Part Name	Materials	Flame Class	Treatment	Remarks
①	Base	PBT	94V-0		Black
②	Terminal	Brass		Sn	
③	Screw (M3.5×8L)	Steel		Ni	F Series
④	Mounting Plate	Brass		Ni	

Measurements List of A & B (P : Number of terminals)

P	2	4	6	8	10	12	14	16	18	20	22	24	26	28	30	32	34	36	38	40	42	44	46	48
A		41.7	51.7	61.7	71.7	81.7	91.7	101.7	111.7	121.7	131.7	141.7	151.7	161.7	171.7	181.7	191.7	201.7	211.7	221.7				
B		30.0	40.0	50.0	60.0	70.0	80.0	90.0	100.0	110.0	120.0	130.0	140.0	150.0	160.0	170.0	180.0	190.0	200.0	210.0				

