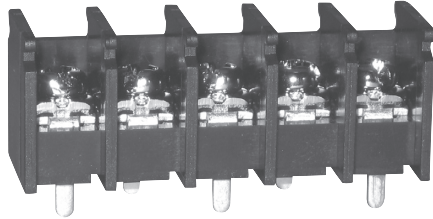


OTB-620

UL US (FW2)

PAT



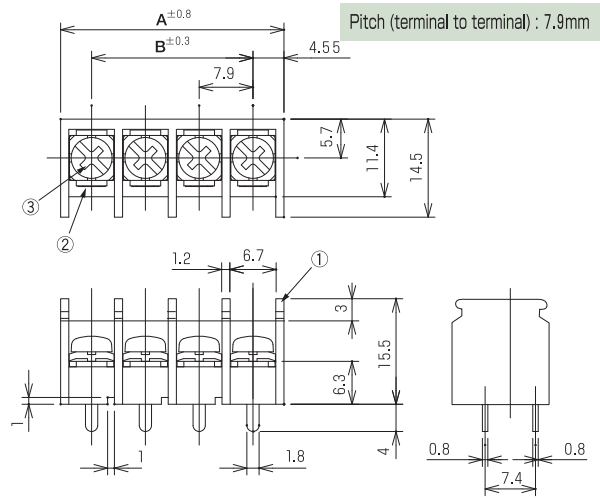
※Instantly Detachable Cover (Optional)

Specifications

Electrical Rating	300V, 20A
Insulation Resistance	DC500V, 1000MΩ
Withstanding Voltage	AC2500V
Cable Range	AWG26~12
Storage Temperature Rating	-40°C~+90°C
Usage Temperature Rating	-40°C~+90°C

Measurements List of A & B (P : Number of terminals)

P	1	2	3	4	5	6	7	8	9	10	11	12	13	14
A		17	24.9	32.8	40.7	48.6	56.5	64.4	72.3	80.2	88.1	96	103.9	
B		7.9	15.8	23.7	31.6	39.5	47.4	55.3	63.2	71.1	79	86.9	94.8	



Composition

No.	Part Name	Materials	Flame Class	Treatment	Remarks
①	Base	PBT	94V-0		
②	Terminal	Brass		Sn	
③	Screw (M3.5×7L)	Brass		Ni	F Series

