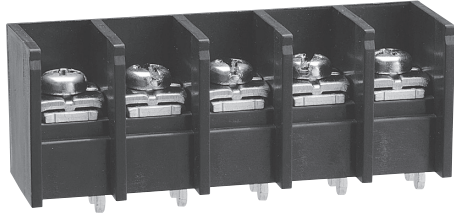
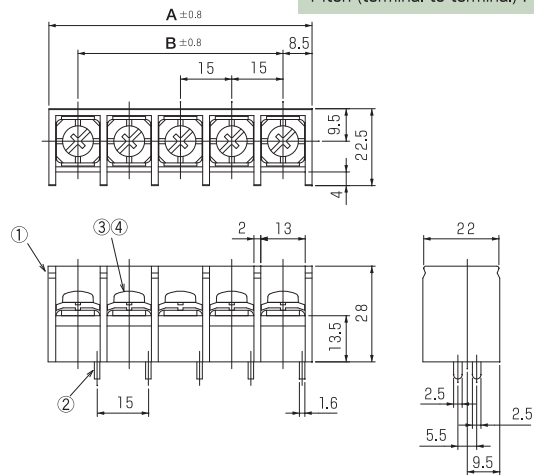


OTB-3000NS



※Instantly Detachable Cover (Optional)

Pitch (terminal to terminal) : 15mm



Specifications

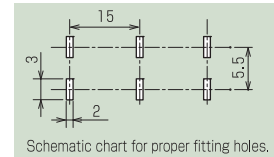
Electrical Rating	600V, 85A
Insulation Resistance	DC500V, 1000MΩ
Withstanding Voltage	AC2500V
Storage Temperature Rating	-40°C~+90°C
Usage Temperature Rating	-40°C~+90°C

Composition

No.	Part Name	Materials	Flame Class	Treatment	Remarks
①	Base	PBT	94V-0		Black
②	Terminal	Copper		Sn	
③	Screw (M5×12L)	Steel		Ni	F Series
④	Hexagon Nut (M5)	Steel		Cr ³⁺ +Zn	

Measurements List of A & B (P : Number of terminals) Special Order 13P~20P

P	1	2	3	4	5	6	7	8	9	10	11	12	13	14	15	16	17	18	19	20
A		32	47	62	77	92	107	122	137	152	167	182	197	212	227	242	257	272	287	302
B		15	30	45	60	75	90	105	120	135	150	165	180	195	210	225	240	255	270	285



Schematic chart for proper fitting holes.