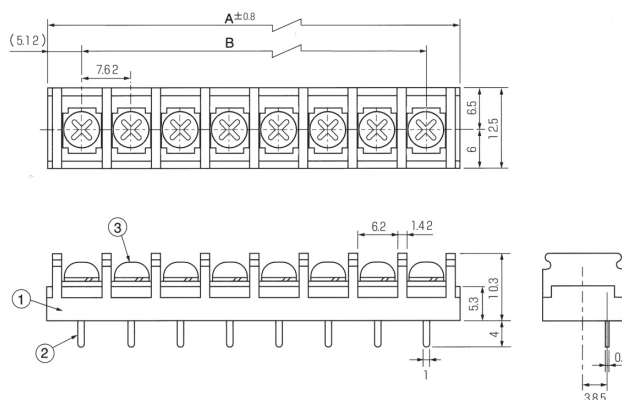
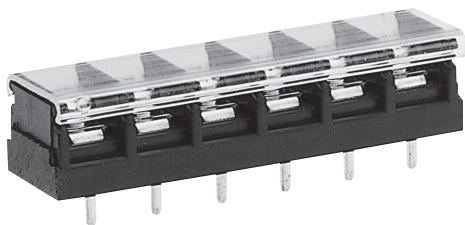


OTB-136N-B

c  us (FW2)

Pitch (terminal to terminal) : 7.62mm



※Instantly Detachable Cover (Optional)

Specifications

Electrical Rating	250V, 10A
Insulation Resistance	DC500V, 1000MΩ
Withstanding Voltage	AC2500V
Storage Temperature Rating	-40°C~+90°C
Usage Temperature Rating	-40°C~+90°C

Composition

No.	Part Name	Materials	Flame Class	Treatment	Remarks
①	Base	PBT	94V-0		Black
②	Terminal	Brass		Sn	
③	Screw (M3×6L)	Steel		Ni	F and P Series

Measurements List of A & B (P : Number of terminals)

P	1	2	3	4	5	6	7	8	9	10	11	12	13	14
A		17.86	25.48	33.10	40.72	48.34	55.96	63.58	71.20	78.82	86.44	94.06		
B		7.62	15.24	22.86	30.48	38.10	45.72	53.34	60.96	68.58	76.20	83.82		