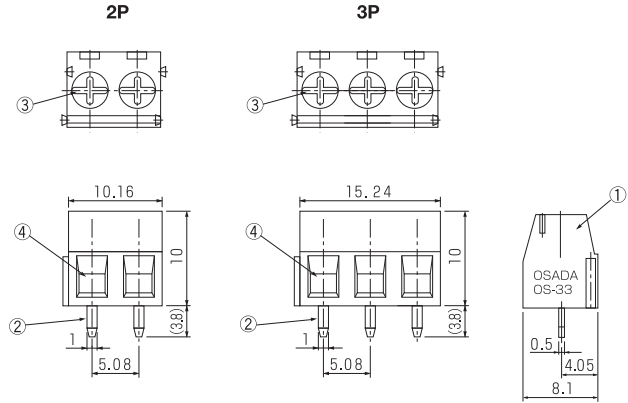
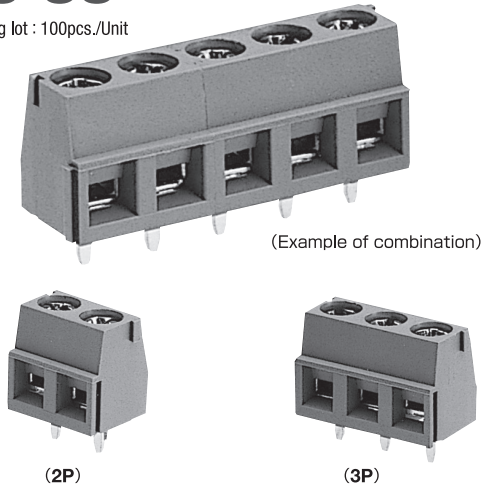


OS-33

FW2 (FW2)

Ordering lot : 100pcs./Unit

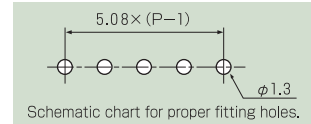
Pitch (terminal to terminal) : 5.08mm



Number of terminals : Number of poles required
[combination of 2P and 3P]

Specifications

Electrical Rating	300V, 10A
Insulation Resistance	DC500V, 1000MΩ
Withstanding Voltage	AC2500V
Cable Range	AWG22~14
Wire Strip Length	5~7mm
Storage Temperature Rating	-40°C~+80°C
Usage Temperature Rating	-40°C~+80°C



Composition

No.	Part Name	Materials	Flame Class	Treatment	Remarks
①	Base	PA 66	94V-0		Green
②	Terminal	Brass		Sn	
③	Screw	Steel		Cr ³⁺ Zn	⊕ Screw
④	Contact	Brass		Ni	