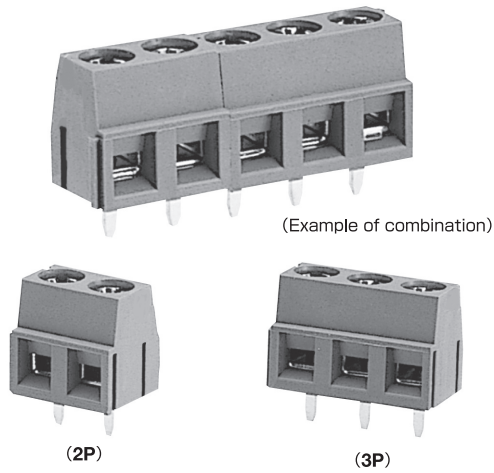


OS-20

c **UL** us (FW2)

Ordering lot : 100pcs./Unit

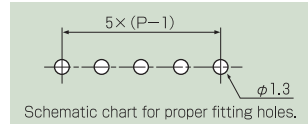
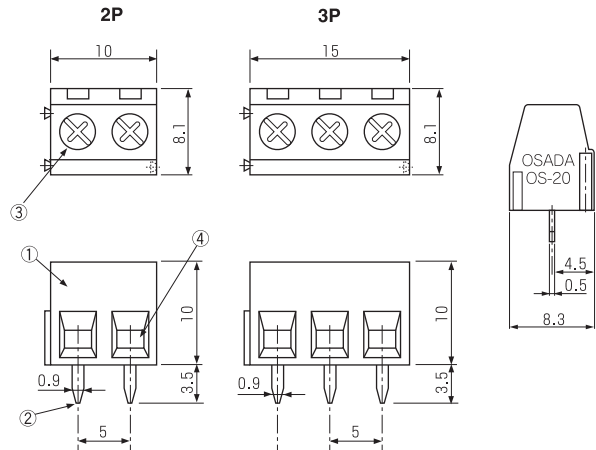


Number of terminals : Number of poles required
[combination of 2P and 3P]

Specifications

Electrical Rating	300V, 10A
Insulation Resistance	DC500V, 1000MΩ
Withstanding Voltage	AC2500V
Cable Range	AWG26~16
Wire Strip Length	6~8mm
Storage Temperature Rating	-40°C~+80°C
Usage Temperature Rating	-40°C~+80°C

Pitch (terminal to terminal) : 5mm



Composition

No.	Part Name	Materials	Flame Class	Treatment	Remarks
①	Base	PA 66	94V-0		Green
②	Terminal	Brass		Sn	
③	Screw (M2.5×0.45P)	Steel		Cr ³⁺ Zn	⊕ Screw
④	Contact	Brass		Ni	