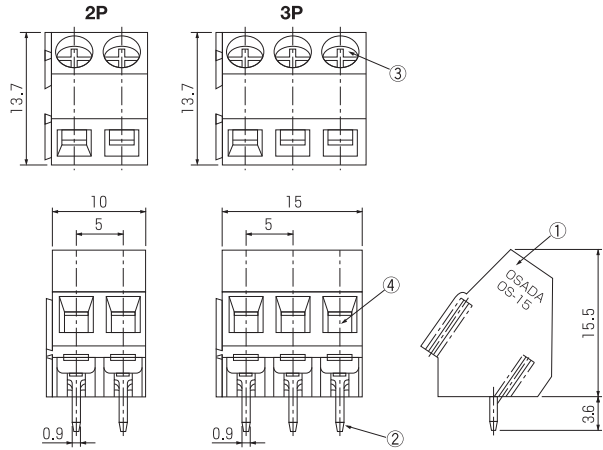
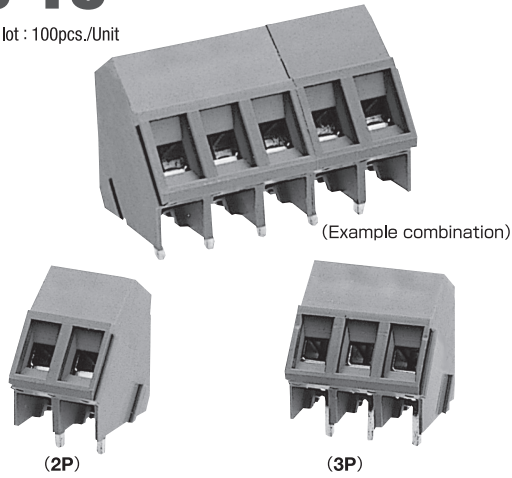


# OS-15

UL US (FW2)

Ordering lot : 100pcs./Unit

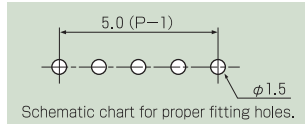
Pitch (terminal to terminal) : 5mm



Number of terminals : Number of poles required [combination of 2P and 3P]  
(4P and 5P : One block and example combination)

### Specifications

Electrical Rating	250V, 12A
Insulation Resistance	DC500V, 1000MΩ
Withstanding Voltage	AC2500V
Cable Range	AWG24~12
Wire Strip Length	7~9mm
Storage Temperature Rating	-40°C~+80°C
Usage Temperature Rating	-40°C~+80°C



### Composition

No.	Part Name	Materials	Flame Class	Treatment	Remarks
①	Base	PA 66	94V-0		Green
②	Terminal	Brass		Sn	
③	Screw	Steel	M2.5	Cr <sup>3+</sup> Zn	⊕ Screw
④	Contact	Brass		Ni	